

# PHILIPS



Regulated D.C. Power Supply

## PE 1647

Operating manual

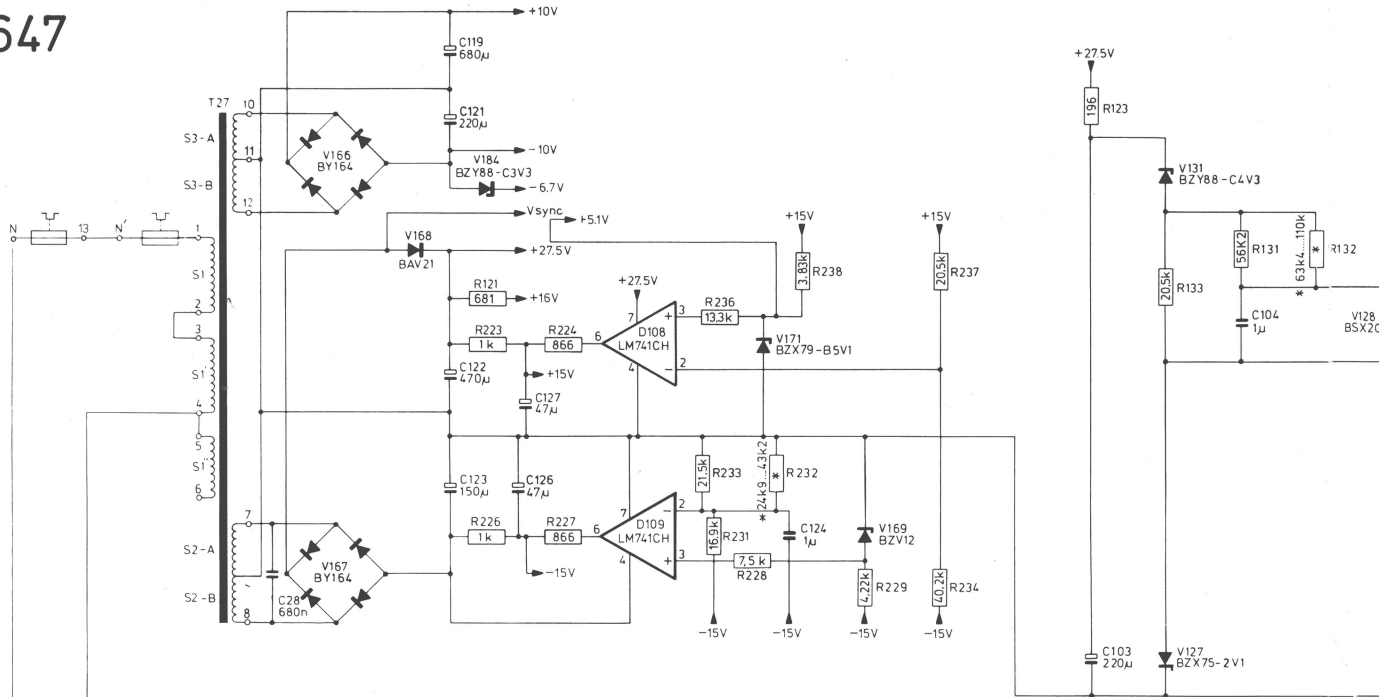
Nonprofit scan  
only for personal  
use of Niels  
Kloppenburg

9499 150 09801

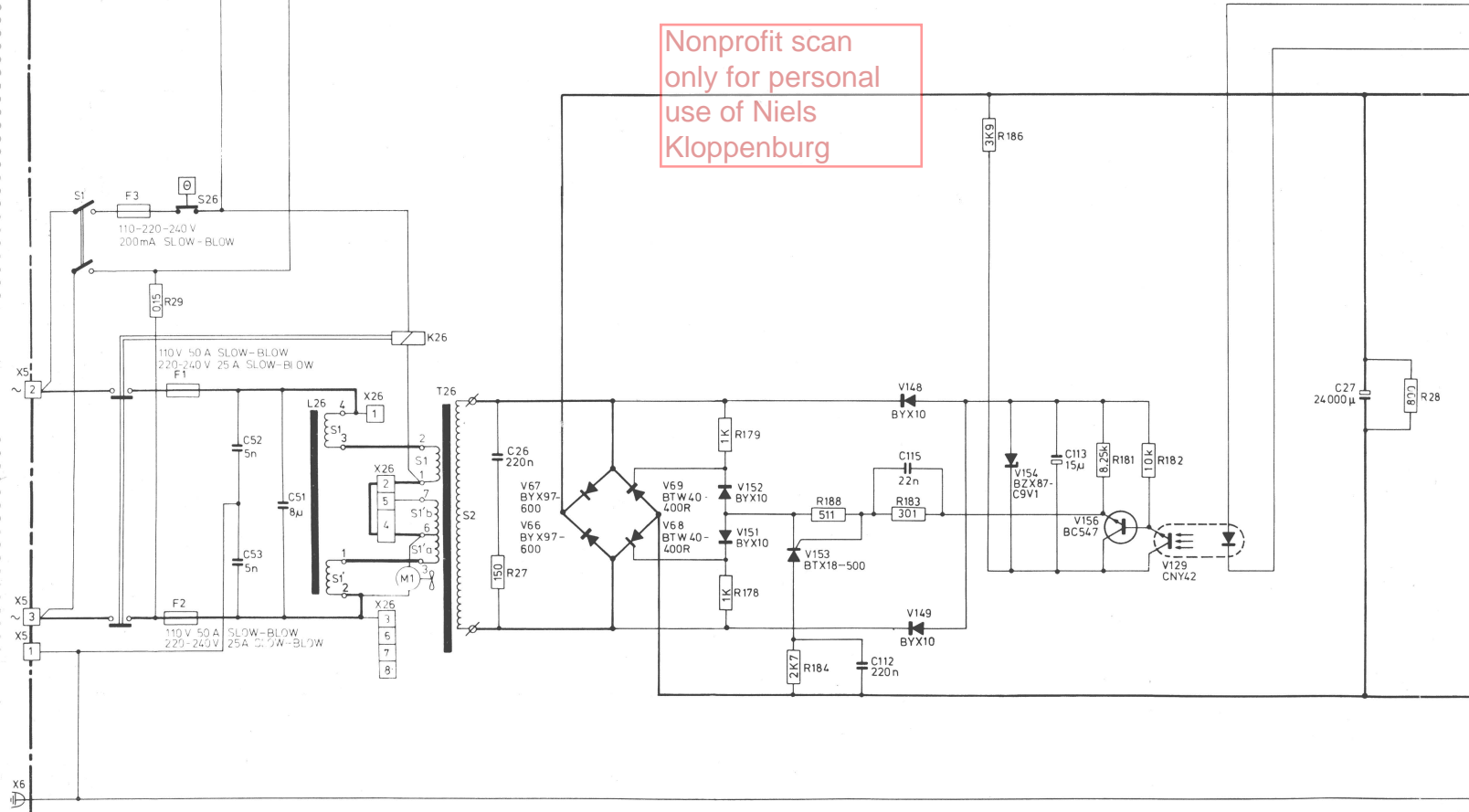
780620

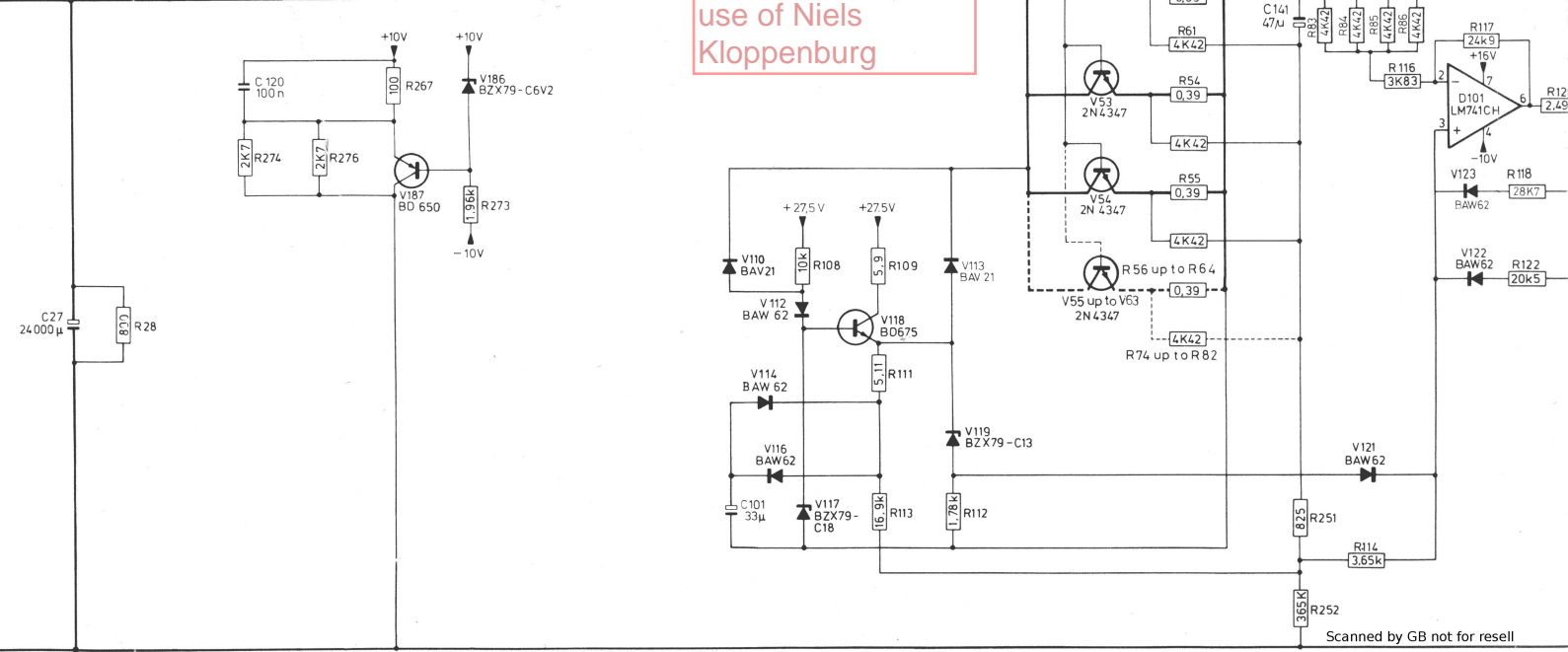
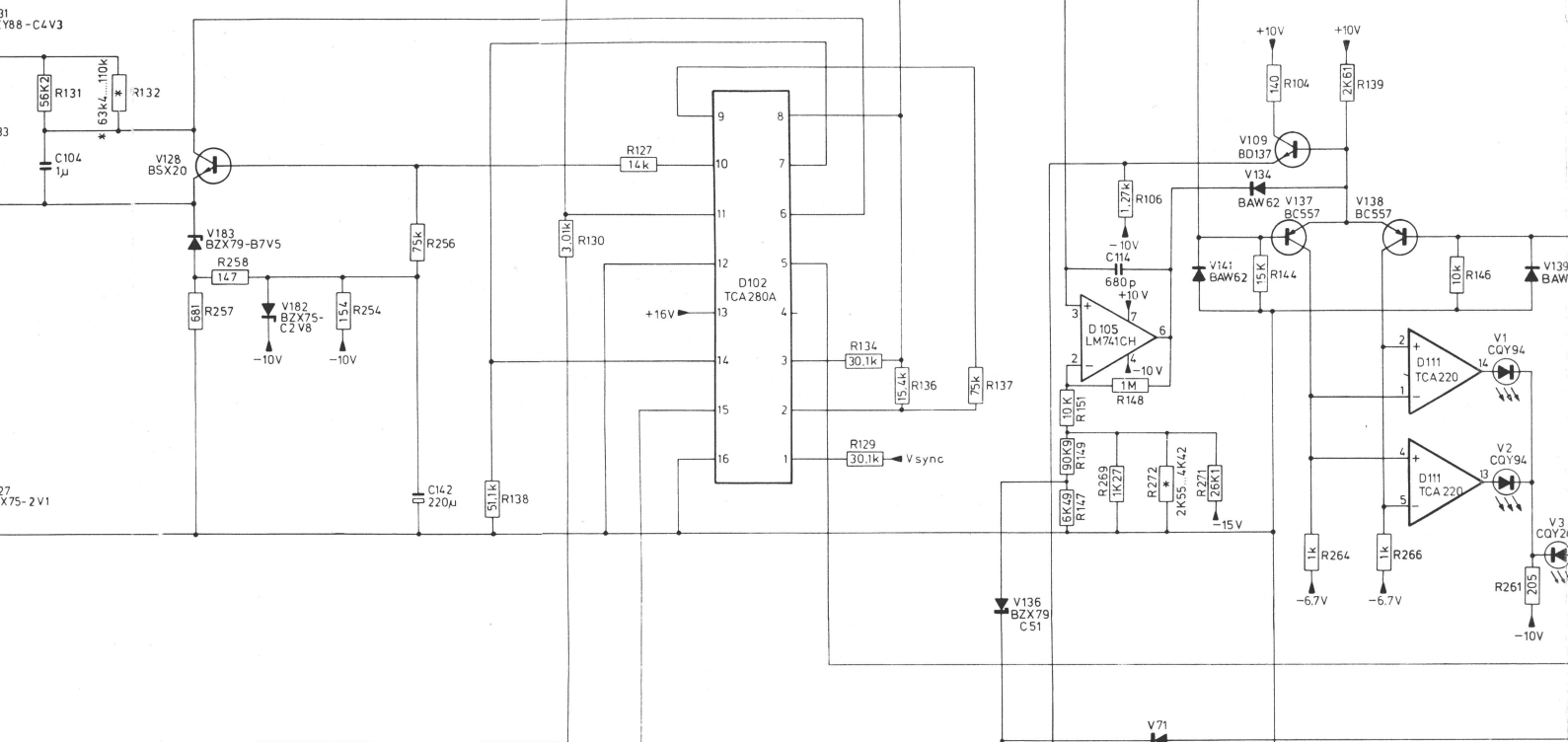


# PE 1647

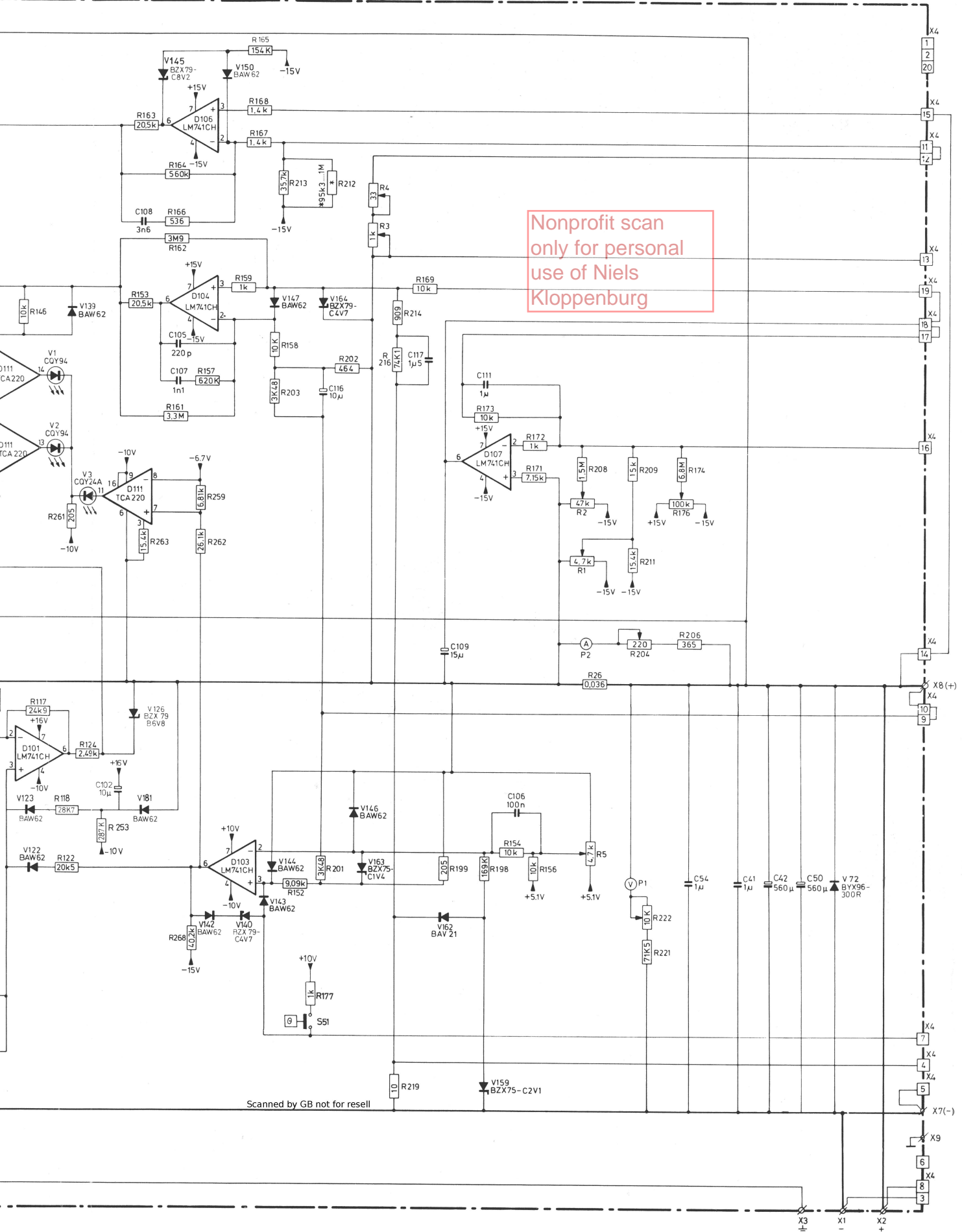


Nonprofit scan  
only for personal  
use of Niels  
Kloppenborg





Nonprofit scan  
only for personal  
use of Niels  
Kloppenburg



Nonprofit scan  
only for personal  
use of Niels  
Kloppenburg

Scanned by GB not for resale

Fig./Abb. 8.